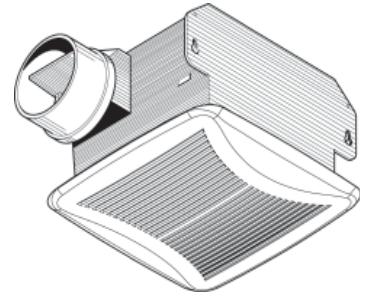


MODELS NT080C & NT100C VENTILATION FAN



Quiet, high performance fans with a modern styled, low profile grille.

FEATURES

GRILLE

- Torsion spring grille mounting - no tools required
- White polymeric matches any decor

BLOWER

- Plug-in, permanently lubricated motor, requires no maintenance
- Centrifugal blower wheel and 4-pole motor for high capacity and low sound level
- Low RPM for quiet operation
- Dynamically balanced centrifugal blower wheel provides high efficiency performance

HOUSING

- Ceiling installation
- Mounts between joists or directly to framing members
- Tapered 4-inch round, polymeric duct connector - prevents metallic clatter
- Rugged galvanized steel construction

SPECIFICATIONS

MODEL	VOLTS	AMPS*	Hz	SONES	CFM	DUCT
NT080C	120	0.5	60	2.5	80	4" Round
NT100C	120	1.0	60	4.0	100	4" Round

* Total connected load



HVI-2100 CERTIFIED RATINGS comply with new testing technologies and procedures prescribed by the Home Ventilating Institute, for off-the-shelf products, as they are available to consumers. Product performance is rated at 0.1 in. static pressure, based on tests conducted in AMCA's state-of-the-art test laboratory. Sones are a measure of humanly-perceived loudness, based on laboratory measurements.

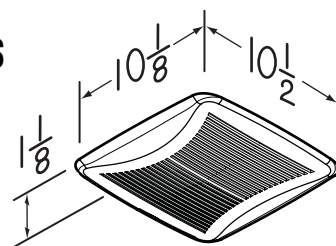
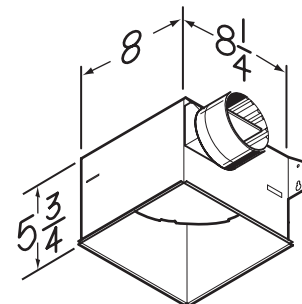
TYPICAL SPECIFICATION

Fan shall be NuTone Model NT080C (NT100C).

Ventilator shall have a galvanized steel housing. Mounting brackets to be adjustable. It shall be ducted to a roof cap using a 4" round ductwork. Automatic backdraft damper shall be located within the duct connector.

Blower assembly shall have a centrifugal-type blower wheel and a permanently lubricated motor. Blower shall also operate at a low RPM rating.

Air delivery shall be no less and sound level no greater than listed. All air and sound ratings shall be certified by HVI. Unit shall be cULus listed.



NOTE: Dimensions are in inches.

Broan-NuTone Canada Inc., 1140 Tristar Drive, Mississauga, Ontario L5T 1H9 (1-888-882-7626)

REFERENCE	QTY.	REMARKS	Project
			Location
			Architect
			Engineer
			Contractor
			Submitted by Date