



### Decorative Fan-Lights

Now you can ventilate while adding elegant lighting and exceptional design to your bathroom or any other room in your home. The NuTone series of decorative fan-lights delivers quality ventilation performance and compliments your room with beautifully styled glass globe light fixtures in a variety of styles and finishes.

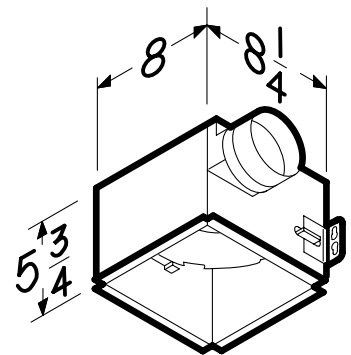
- Polymeric blower wheel
- Permanently lubricated motor requires no maintenance
- Housing dimension: 8" x 8-1/4" x 5-3/4"
- Fits 2" x 6" and 2" x 8" constructions
- Rugged steel housing
- 4" round duct connector
- Attractive frosted or alabaster glass fixture with a variety of trim finishes
- Uses two 60-watt incandescent bulbs or 60-watt candelabra B-10 type bulbs - 741 models only (bulbs not included)

#### SPECIFICATIONS

MODEL	CFM AT 0.1" SP*	L/s** AT 0.1" SP	SONES AT 0.1" SP	AMPS	SHIPPING WEIGHT (POUNDS)	FIXTURE DIMENSIONS	TRIM FINISH
741WHNTC	70	33.0	3.5	2.2	10.9	13-5/16" Dia. x 5-7/8"	White
741SNNTC	70	33.0	3.5	2.2	10.9	13-5/16" Dia. x 5-7/8"	Satin Nickel
757SNNTC	80	37.8	2.5	1.6	13.2	13-1/8" Dia. x 5-1/2"	Satin Nickel

\* Static pressure

\*\* Litres per second



Dimensions shown are in inches.



87532B